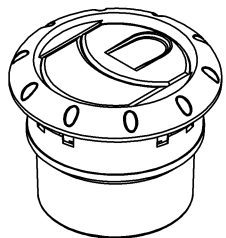
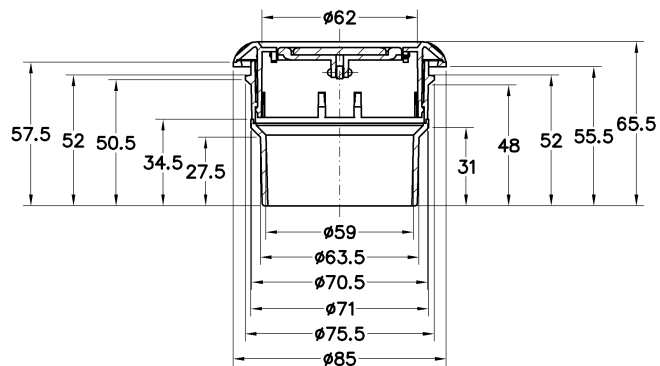




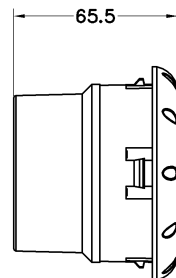
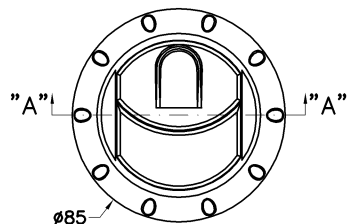
Date	N° Cl	Ver	Modification	Request N°	E	Drawer
01.02.02		A	Alterado USO		1	Marcio
17.11.04		B	Desenhado CAD		1	Danielba



**Cor evo-2**  
Color: evo-2



**SECCAO "AA"**  
"AA" SECTION  
Scale 1:1



**Codigo de referencia Agrale: 6009.013.092.007**


Agrale reference code: 6009.013.092.007

**Codigo de referencia Acrilys: 9987**

Acrilys reference code: 9987

**Material conforme EME 019/97**

Material according to EME 019/97

Scale: 1:1.5 Date: 10.01.02  
 Poet: Liquid weight (Kg)  
 **Microplato**  
 Caixa de Sól - RS Oriam: I

Denomination:

DIFUSOR DE AR  
PAINEL - FURGAO AGRALE

+0,2  
 5,8 - 30  
 +0,3  
 10 - 30  
 +0,5  
 30 - 50  
 +0,8  
 50 - 120  
 +1,2  
 120 - 400  
 +2  
 acima 400  
 Material ±1%  
 ±0,20  
 ±0,10  
 ±0,05