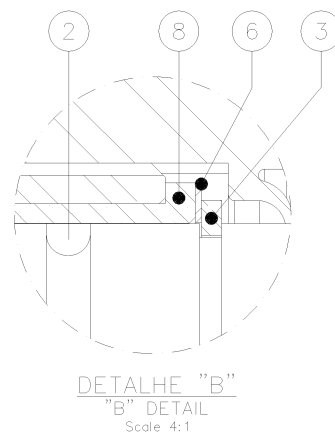
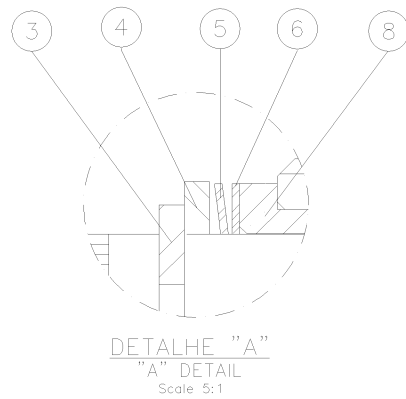
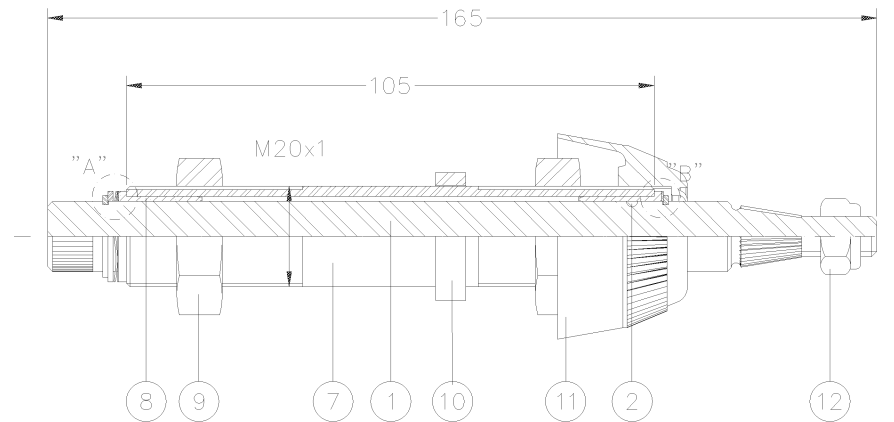


Number	Date	Modification	E	Owner
50000069952	12.5.11	Alterado cód. ref. 09019027 para 0909001		PAULOVAR
500000251818	28.9.16	Atualizado desenho		DEISESIL



OBS.:
NOTE:

Cód. referência RGB: 09090017

RGB code reference: 009090017

Tratamento Superficial do eixo do mancal (item 1) em Tenox.
Superficial Treatment of bearing axle (Item 1) in Tenox.

ITEM	MATERIAL	CÓDIGO	QUANTITY
12	PORCA SEXT AF M8 X 1,00 ZPF DIN 985	308	1,000
11	PROTECTOR MANCAL M20X1,00	8907	1,000
10	BUCHA ENCOSTO MANCAL Ø20,9 INT X 6MM	5501	1,000
9	PORCA SEXT M20 X 1,00 ZPF ALT 9,00 CHAVE 27	281	2,000
8	BUCHA POLIACETAL EIXO Ø 14,00 M20X1,00 E M24X1,00	6272	2,000
7	BUCHA MANCAL M20 X 105MM	5389	1,000
6	ARRUELA LISAX14,20X18,20X0,30XZPF	8905	2,000
5	ARRUELA OND 14,00 X Ø EXT 18,00 ESP 0,30	8911	1,000
4	ARRUELA LISAX14,20X18,20X1,00XZPF	8903	1,000
3	ANEL RETEN FAB SEEGER RENO REF.504140	8902	2,000
2	ANEL VED FAB PARKER REF 2-013	9189	1,000
1	EIXO MANCAL PRIN Ø14 X 165MM P/ BUCHA 105MM	4449	1,000

	Scale: 1:1	Date: 29.9.16	Denomination: MANCAL LIMPADOR PARA-BRISA Windshield wiper bearing Cojinete limpiaparabrisa
	View System: Liquid weight: 3,200	Origin:	
	Version:	AC	
	Project Office: ENO_MP10	Use:	
Reviser: SAP Workflow:	View in PLM System:	Drawer: DEISESIL	Class: 503505
			10299726

Tolerâncias quando não especificadas	300 conforme DIN ISO 2768-1 classe m = médio
30 - 120	± 0,10
120 - 400	± 0,15
400 - 1000	± 0,20
1000 - 2000	± 0,25
2000 - 4000	± 0,30
4000 - 10000	± 0,40
10000 - 20000	± 0,50
20000 - 40000	± 0,60
40000 - 100000	± 0,80
100000 - 200000	± 1,00
200000 - 400000	± 1,20
400000 - 1000000	± 1,50
1000000 - 2000000	± 2,00
2000000 - 4000000	± 2,50
4000000 - 10000000	± 3,00
10000000 - 20000000	± 4,00
20000000 - 40000000	± 5,00
40000000 - 100000000	± 6,00
100000000 - 200000000	± 8,00
200000000 - 400000000	± 10,00
400000000 - 1000000000	± 12,00
1000000000 - 2000000000	± 15,00
2000000000 - 4000000000	± 20,00
4000000000 - 10000000000	± 25,00
10000000000 - 20000000000	± 30,00
20000000000 - 40000000000	± 40,00
40000000000 - 100000000000	± 50,00
100000000000 - 200000000000	± 60,00
200000000000 - 400000000000	± 80,00
400000000000 - 1000000000000	± 100,00
1000000000000 - 2000000000000	± 120,00
2000000000000 - 4000000000000	± 150,00
4000000000000 - 10000000000000	± 200,00
10000000000000 - 20000000000000	± 250,00
20000000000000 - 40000000000000	± 300,00
40000000000000 - 100000000000000	± 400,00
100000000000000 - 200000000000000	± 500,00
200000000000000 - 400000000000000	± 600,00
400000000000000 - 1000000000000000	± 800,00
1000000000000000 - 2000000000000000	± 1000,00
2000000000000000 - 4000000000000000	± 1200,00
4000000000000000 - 10000000000000000	± 1500,00
10000000000000000 - 20000000000000000	± 2000,00
20000000000000000 - 40000000000000000	± 2500,00
40000000000000000 - 100000000000000000	± 3000,00
100000000000000000 - 200000000000000000	± 4000,00
200000000000000000 - 400000000000000000	± 5000,00
400000000000000000 - 1000000000000000000	± 6000,00
1000000000000000000 - 2000000000000000000	± 8000,00
2000000000000000000 - 4000000000000000000	± 10000,00